

## SPG\_C6

### SPG SERIES SINGLE POINT LOAD CELLS, C6 CLASS



Load cells for off center loads, suitable for example to build CE-M approved scales with a single load cell; maximum platform dimensions of 450x450 mm.

---

**CAPACITIES (kg):** 7, 10, 18, 36.

---

**OIML R60.** C6 precision class.

---

**Aluminium** alloy. **IP67** protection.

---

The best solution  
for advanced industrial  
applications

## MAIN FEATURES

- C6 PRECISION CLASS
- OFF CENTER LOAD COMPENSATED
- ALUMINIUM ALLOY CONSTRUCTION
- IP67 PROTECTION
- MAX. CAPACITIES FROM 7 TO 36 kg
- FOR PLATFORMS WITH DIMENSIONS UP TO 450 X 450 mm
- SHIELDED CONNECTION CABLE
- OIML CERTIFICATE AVAILABLE UPON REQUEST
- TEST CERTIFICATE AVAILABLE UPON REQUEST

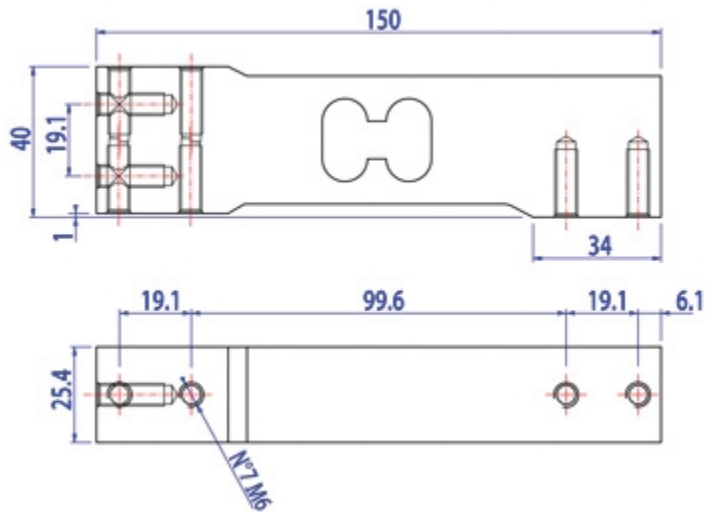
## TECHNICAL FEATURES

- Minimum load cell verification interval:  
 $V_{min} = E_{Max} / 14.000-25.000$
- Maximum number of verification intervals:  $n_{LC} = 6000$
- Sensitivity:  $2mV/V \pm 10\%$
- Temperature effect on zero:  
from  $\pm 0,0056\% F.S./10K$  to  $\pm 0,01\% F.S./10K$
- Temperature effect on Full Span:  
 $0,0058\% F.S./10K (-10^{\circ}C/+20^{\circ}C)$   $0,087\% F.S./10K (+20^{\circ}C/+40^{\circ}C)$
- Compensated Temperature Range:  $-10^{\circ}C/+40^{\circ}C$
- Operating Temperature Range:  $-10^{\circ}C/+50^{\circ}C$
- Maximum excitation voltage without damage: 15 Vdc
- Input Resistance: 300..500 Ohm
- Output Resistance: 300..500 Ohm
- Zero Balance:  $0 \pm 0,1mV/V$  (at 100V)
- Insulation Resistance:  $>2000 MOhm$
- Mechanical limit load in service: 150% F.S.
- Destructive load: 300% F.S.
- Deflection at nominal load  $<0,5mm$
- 6-wire shielded cable, 3m long, 4,7mm diameter

## ATEX Version

- The CCATEX certificate makes the load cell suitable for use in hazardous areas with protection methods according to:  
ATEX II 1G Ex ia IIC T6 (Ta  $-20^{\circ}C/+40^{\circ}C$ ) TX (Ta  $-20^{\circ}C/+65^{\circ}C$ ) Ga  
ATEX II 1D Ex ta IIIC TX $^{\circ}C$  (Ta  $-20^{\circ}C/+40^{\circ}C$ ) TX $^{\circ}C$  (Ta  $-20^{\circ}C/+65^{\circ}C$ ) Da IP65.  
The certificate includes the manual and the ATEX CE conformity declaration (available in EN, DE, FR, and IT).
- **IMPORTANT:** the certificate refers to the single load cell. For systems with more load cells, it is necessary to order one certificate for each load cell.

## DETAIL 1



Dimensions (mm)

Wiring Code	
Colour	Function
YELLOW	SHIELD
WHITE	OUTPUT +
GREEN	SENSE +
BLUE	INPUT +
RED	OUTPUT -
GREY	SENSE -
BLACK	INPUT -

## VERSIONS

### Available versions

Codice	Piatto Max (mm)	Max (kg)
SPG7C6-1 	300x300	7
SPG10C6-1 	300x300	10
SPG18C6-1 	400x400	18
SPG36C6-1 	450x450	36

**COVENTRY SCALE COMPANY**



COVENTRY SCALE COMPANY LTD

UNIT 8, SPITFIRE CLOSE - CV5 6UR - COVENTRY

Tel. 0044-2476-593500

Fax. 044-2476-601239

E-mail [info@coventryscale.co.uk](mailto:info@coventryscale.co.uk)

Web [www.coventryscale.co.uk](http://www.coventryscale.co.uk)