

FXD

FXD SERIES BENDING BEAM LOAD CELLS



Bending beam load cells for approved weighing (capacities from 100kg to 500kg), automatic systems, dosage.

CAPACITIES (kg): 10, 20 , 50, 100, 200, 300, 500.

OIML R60. C3 precision class.

Stainless steel. IP68 protection.

**The best solution
for advanced industrial
applications**

MAIN FEATURES

- C3 PRECISION CLASS
- STAINLESS STEEL
- IP68 PROTECTION
- MAX. CAPACITIES FROM 10 TO 500 kg
- SHIELDED CONNECTION CABLE
- OIML CERTIFICATE AVAILABLE UPON REQUEST
- TEST CERTIFICATE AVAILABLE UPON REQUEST

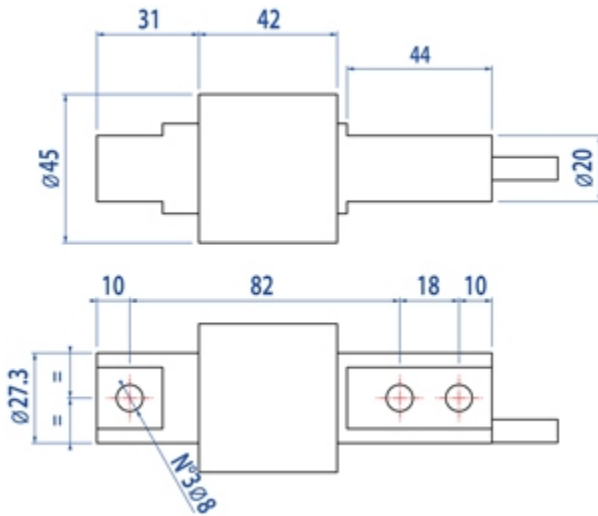
TECHNICAL FEATURES

- Minimum load cell verification interval: $V_{min} = E_{Max} / 10.000$
- Maximum number of verification intervals: $n_{LC} = 3000$
- Full Scale Output: $2.0 \pm 0,002mV/V$
- Combined error: 0,017% of Full Scale Output (F.S.)
- Non-Repeatability: 0,015% F.S.
- Temperature effect on zero: $\pm 0,02\% \text{ F.S.} / 10^{\circ}\text{C}$
- Temperature effect on full scale output: $\pm 0,02\% \text{ F.S.} / 10^{\circ}\text{C}$
- Compensated Temperature Range: $-10^{\circ}\text{C}/+40^{\circ}\text{C}$
- Operating Temperature Range: $-30^{\circ}\text{C}/+70^{\circ}\text{C}$
- Creep error after 30 minutes $\pm 0,016\% \text{ F.S.}$
- Maximum tolerated excitation voltage: 15 VDC
- Input Resistance: $400 \pm 20 \text{ Ohm}$
- Output Resistance: $352 \pm 3 \text{ Ohm}$
- Insulation Resistance: $> 5000 \text{ MOhm}$
- Safe Overload: 120% F.S.
- Ultimate Overload: 150% F.S.
- Nominal displacement: $< 0,4 \text{ mm}$
- 4-wire shielded cable, 3m long, 5mm diameter.

ATEX VERSION

- The CCATEX certificate makes the load cell suitable for use in hazardous areas with protection methods according to:
ATEX II 1G Ex ia IIC T6 (Ta $-20^{\circ}\text{C}/+40^{\circ}\text{C}$) TX (Ta $-20^{\circ}\text{C}/+65^{\circ}\text{C}$) Ga
ATEX II 1D Ex ta IIIC TX $^{\circ}\text{C}$ (Ta $-20^{\circ}\text{C}/+40^{\circ}\text{C}$) TX $^{\circ}\text{C}$ (Ta $-20^{\circ}\text{C}/+65^{\circ}\text{C}$) Da IP65.
The certificate includes the manual and the ATEX CE conformity declaration (available in EN, DE, FR, and IT).
- IMPORTANT: the certificate refers to the single load cell. For systems with more load cells, it is necessary to order one certificate for each load cell.

DETAIL 1






Dimensions (mm)

Wiring Code	
Colour	Function
--	SHIELD
GREEN	OUTPUT +
RED	INPUT +
WHITE	OUTPUT -
BLACK	INPUT -

VERSIONS

Available versions

Codice	Max (kg)
FXD10	10
FXD20	20
FXD50	50
FXD100 	100
FXD200 	200
FXD300 	300
FXD500 	500

COVENTRY SCALE COMPANY



COVENTRY SCALE COMPANY LTD

BARKERS BUTTS LANE 137 - CV61EB - COVENTRY - UNITED KINGDOM

Tel. 0044-2476-593500

Fax. 044-2476-601239

E-mail info@coventryscale.co.uk

Web www.coventryscale.co.uk