

SPN

SPN SERIES SINGLE POINT LOAD CELLS



Load cells for off center loads, suitable for example to build CE-M approved scales with a single load cell; maximum platform dimensions of 800x800 mm.

---

**CAPACITIES (kg):** 300, 500, 750.

---

**OIML R60. C3** precision class.

---

**Aluminium** alloy. **IP67** protection.

---

The best solution  
for advanced industrial  
applications

## MAIN FEATURES

- C3 PRECISION CLASS
- OFF CENTER LOAD COMPENSATED
- ALUMINIUM ALLOY CONSTRUCTION
- IP67 PROTECTION
- MAX. CAPACITIES FROM 300 TO 750 kg
- FOR PLATFORMS WITH DIMENSIONS UP TO 800 X 800 mm
- SHIELDED CONNECTION CABLE
- OIML CERTIFICATE AVAILABLE UPON REQUEST
- TEST CERTIFICATE AVAILABLE UPON REQUEST

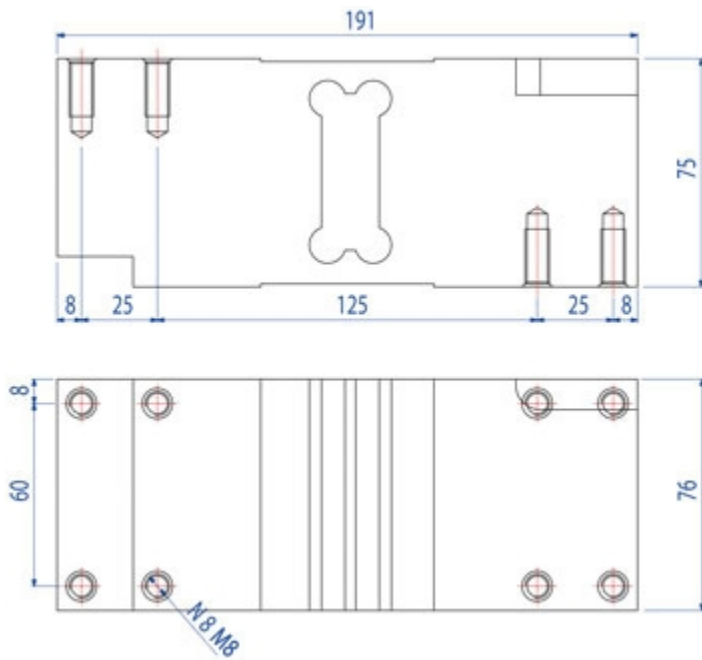
## TECHNICAL FEATURES

- Minimum load cell verification interval:  $V_{min} = E_{Max} / 10.000-15.000$
- Maximum number of verification intervals:  $n_{LC} = 3000$
- Sensitivity:  $2mV/V \pm 10\%$
- Temperature effect on zero:  
from  $\pm 0,0093\% \text{ F.S./10K}$  to  $\pm 0,0140\%$
- Temperature effect on Full Span:  
 $0,0117\% \text{ F.S./10K } (-10^{\circ}\text{C}/+20^{\circ}\text{C})$   
 $0,0175\% \text{ F.S./10K } (+20^{\circ}\text{C}/+40^{\circ}\text{C})$
- Compensated Temperature Range:  $-10^{\circ}\text{C}/+40^{\circ}\text{C}$
- Operating Temperature Range:  $-10^{\circ}\text{C}/+50^{\circ}\text{C}$
- Creep at nominal load in 30 minutes:  $0,01\% \text{ F.S.}$
- Maximum excitation voltage without damage:  $15 \text{ Vdc}$
- Input Resistance:  $300..500 \text{ Ohm}$
- Output Resistance:  $300..500 \text{ Ohm}$
- Insulation Resistance:  $>2000 \text{ MOhm}$
- Mechanical limit load in service:  $150\% \text{ F.S.}$
- Destructive load:  $300\% \text{ F.S.}$
- Deflection at nominal load:  $<0,5\text{mm}$
- 6-wire shielded cable, 3m long, 5mm diameter

## ATEX Version

- The CCATEX certificate makes the load cell suitable for use in hazardous areas with protection methods according to:  
ATEX II 1G Ex ia IIC T6 (Ta  $-20^{\circ}\text{C}/+40^{\circ}\text{C}$ ) TX (Ta  $-20^{\circ}\text{C}/+65^{\circ}\text{C}$ ) Ga  
ATEX II 1D Ex ta IIIC TX $^{\circ}\text{C}$  (Ta  $-20^{\circ}\text{C}/+40^{\circ}\text{C}$ ) TX $^{\circ}\text{C}$  (Ta  $-20^{\circ}\text{C}/+65^{\circ}\text{C}$ ) Da IP65.  
The certificate includes the manual and the ATEX CE conformity declaration (available in EN, DE, FR, and IT).
- **IMPORTANT:** the certificate refers to the single load cell. For systems with more load cells, it is necessary to order one certificate for each load cell.

## DETAIL 1






Dimensions (mm)

Wiring Code	
Colour	Function
YELLOW	SHIELD
WHITE	OUTPUT +
GREEN	SENSE +
BLUE	INPUT +
RED	OUTPUT -
GREY	SENSE -
BLACK	INPUT -

## VERSIONS

### Available versions

Codice	Piatto Max (mm)	Max (kg)
SPN300 	800x800	300
SPN500 	800x800	500
SPN750 	800x800	750

**COVENTRY SCALE COMPANY**



COVENTRY SCALE COMPANY LTD

UNIT 8, SPITFIRE CLOSE - CV5 6UR - COVENTRY

Tel. 0044-2476-593500

Fax. 044-2476-601239

E-mail [info@coventryscale.co.uk](mailto:info@coventryscale.co.uk)

Web [www.coventryscale.co.uk](http://www.coventryscale.co.uk)