

# GIROPES



# L6D

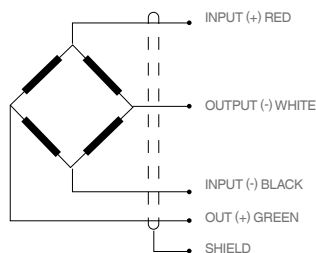
## SINGLE CELL

min 3 kg  
max 50 kg



### APPLICATIONS

Bench platform up to 250x350 mm.  
Pricing scales.  
Counting scales

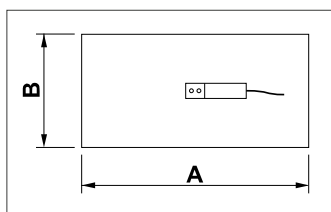
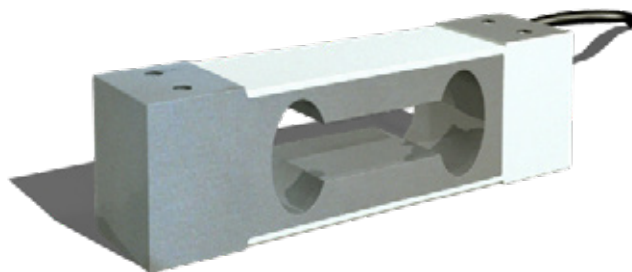


### FEATURES

- Shear beam load cell
- Anodized aluminium construction, silicone sealing
- 3000 divisions OIML R60 class C
- Protection IP65
- High accuracy with off-center loads

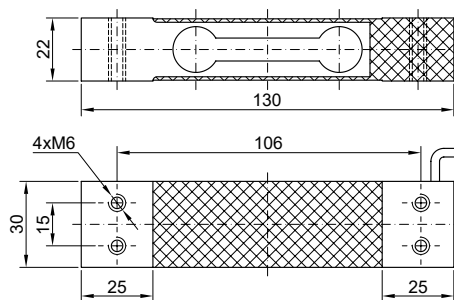
### SPECIFICATIONS

Nominal capacities (Ln)	3-6-15- 20-30-50 kg
Accuracy class	C3
Maximum capacity	3-6-15-20-50 kg
Output sensitivity	2.0 ± 0.2 mV/V
Max number of load cell intervals	3000
Minimum dead load	0
Safe overload	150% Emax
Excitation recommended	10V
Excitation maximum	18V
Zero balance	≤±2 %RO
Input impedance	409±6 Ω
Output resistance	350±3.5 Ω
Insulation impedance	≥5000 MΩ
Temperature range compensated	-10/+40 °C
Temperature range operating	-35/+85 °C
Atmospheric protection	IP65
Maximum dimension for the platform	250x350 mm
Cable length	0.4 m



Dimensions platforms (mm)

Platform A x B  
250 x 350



### CODE L6D

Reference	N. capacity - ln (kg)	Accuracy class n. OIML	y = emax / vmin	Code #
CLL6D-3	3	C3	10000	230357
CLL6D-6	6	C3	10000	230358
CLL6D-15	15	C3	10000	230359
CLL6D-20	20	C3	10000	230360
CLL6D-30	30	C3	10000	230361
CLL6D-50	50	C3	10000	230363