

Crane scale

Versatile and precise weight 100 kg to 1000 kg crane scale

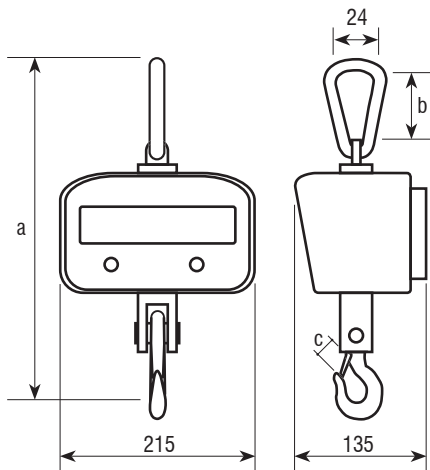


FEATURES:

- Framework in aluminum melting under pressure.
- LCD retro illuminated display with digits of 30 mm.
- LED intensity adjustment.
- Gyrotory load cell.
- Power supply with adaptor AC/DC 230-240Vac 50-60Hz.
- Interior rechargeable battery 6V/5Ah. It lasts 50 hours.
- Easy battery change.
- Level of battery sign.
- Low battery alarm sign.
- Control of functions, calibration and switch off via remote control.
- Remote control maximum distance: 10 m.
- Units: kg and lb.
- Weigh overload alarm.
- Standby and auto switch off.
- According to the directive of security of the machine 2006/42/CE.

FUNCTIONS:

- Accumulation
- Total
- Zero
- Tare
- Hold function



Dimensions (mm)	a	b	c	Net weight (kg)
260520	360	78	20	4
260522	335	78	20	4
260523	400	78	20	4
260521	360	78	20	4,5

Code #	Capacity (kg)	Readout (kg)	n Divisions	Packing dimensions (mm)	Packing weight (kg)
260520	100	50	2000	310x280x190	7
260522	300	100	3000	310x280x190	7
260523	500	200	2500	310x280x190	7
260521	1000	500	2000	310x280x190	7

Certifications	
ENAC	
Code #	
900002	
900002	
900003	
900003	