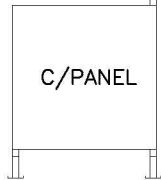
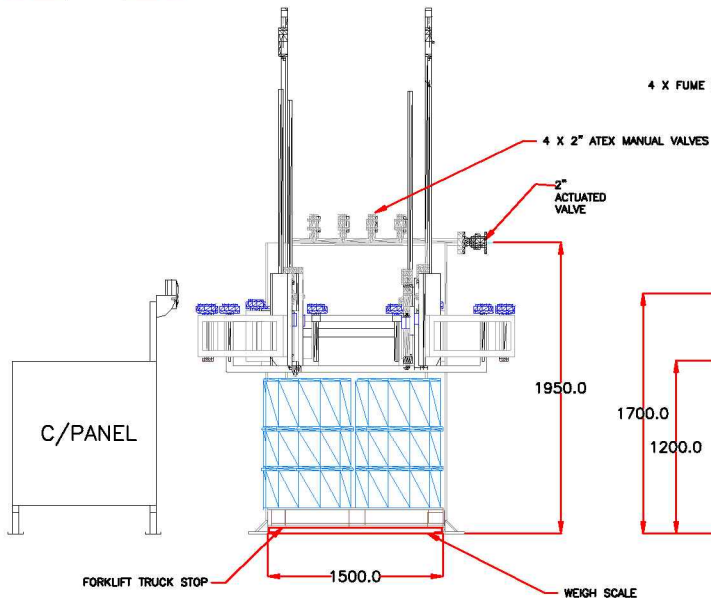
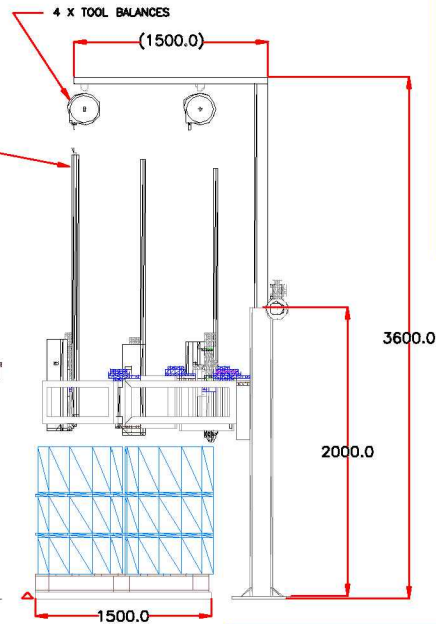
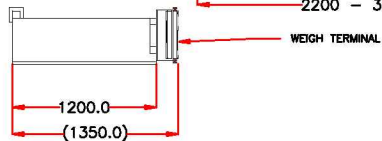
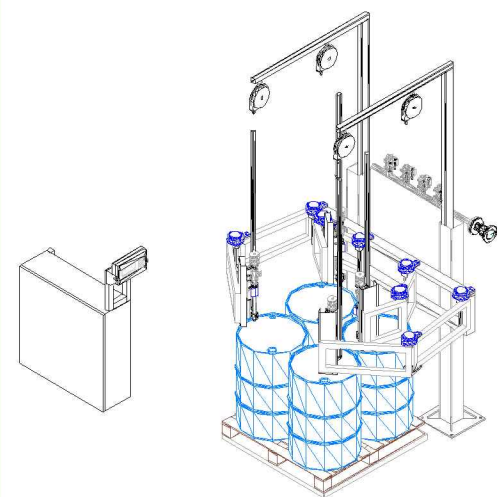
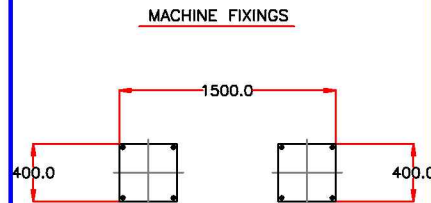
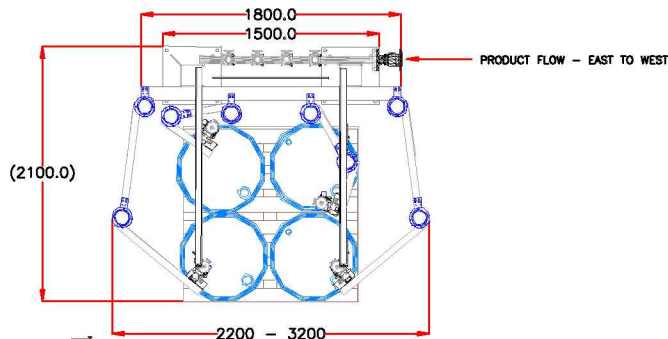



DRAWING No. FT-400



FT-400 GA	
CONTRACT No.	
DRAWN BY: S.M.	
DATE: 08/04/09	
CH'D BY: I.W.	
DATE: 08/04/09	
SCALE: N.T.S.	
SHT SIZE: A1	DRAWING No.
	REV. A



Unit 12
Northern Court,
Boaford
Nottingham, England
NG8 0BJ

Tel: +44 0115 9794896
Fax: +44 0115 9794899

Liquid Filling Specialists

TITLE:
THIS DRAWING IS THE PROPERTY OF FLOW - TRONIX LIMITED AND MUST NOT BE USED FOR ANY PURPOSE OTHER THAN THAT FOR WHICH IT IS SUPPLIED. ITS CONTENTS ARE SUPPLIED IN CONFIDENCE AND MUST NOT BE REPRODUCED WITHOUT WRITTEN PERMISSION.

PROJECTION 
DRG. PRACTICE TO BS.308
ALL DIMENSIONS IN MM

A FIRST ISSUE 08-04-09 S.M. I.W.

F L O W T R O N I X