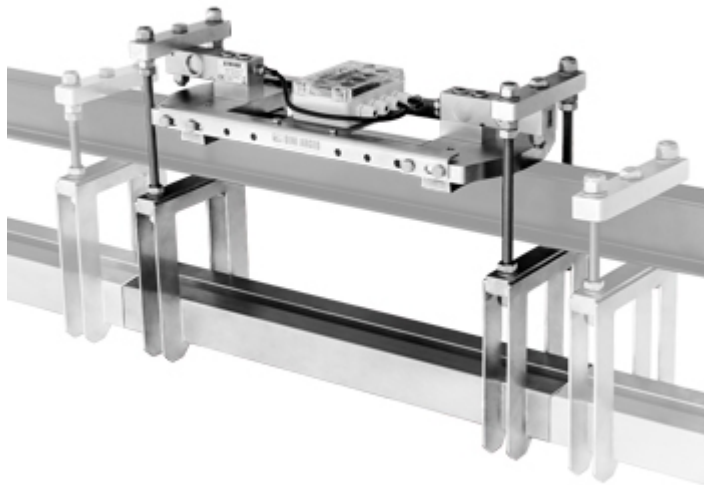


TWG

TWG SERIES OVERHEAD RAIL SCALES



Weighing modules for overhead monorails, easily adaptable to any handling systems, even existing ones. Fitted with OIML approved load cells as standard.

**The best solution
for advanced industrial
applications**

MAIN FEATURES



- It operates with 2 STAINLESS STEEL load cells with IP68 protection rating, approved according to OIML R60 C3.
- AISI 304 STAINLESS STEEL structure, fitted with accessories for fastening to the beam and threaded rods for fastening to the customer's track section.
- Electropolished structure for easy cleaning: the smooth surface helps reduce dirt accumulation and the proliferation of microorganisms.
- Maximum length of the overhead rail weighing section: 600 mm.
- Up to 15 Vdc power supply.
- Hermetic junction box and shielded 10m long 6-pin cable fitted with connectors for connection to the weight indicator.

OPTIONS ONLY AVAILABLE AT TIME OF ORDER

- Connection to the indicator and calibration with CE-M 3000e single range or 3000e+3000e dual range approval (with our indicators).
- Models with special sizes and capacities (ask for estimate).
- Possible adaptations with customer's track section (to be supplied per account of manufacture), which will be quantified upon job card cost account.
- IP69K version.

VERSIONS

Available versions

Codice	I x w x h (mm)	N° celle	Max (kg)	d (g)	M (g)*	M 2R (g)*
TWG30 	550x220x110	2x500kg	300	100	100	-
TWG60 	550x220x110	2x1000kg	600	200	200	100-200

(*) Divisions obtainable only with the relative options, in combination with Dini Argeo weight indicator.

NOTE:



- The track section to be applied to the scale and relative fastening to the threaded rods must be realized by the customer.
- ATTENTION: The order is possible only upon verification of the system's data, executed by our technicians when the filled out DataRequest_TWG_ENG module downloadable up here is sent.
- The capacity and division must be specified in the module for the verification of the feasibility, consequently to the requested features.

COVENTRY SCALE COMPANY



COVENTRY SCALE COMPANY LTD

UNIT 8, SPITFIRE CLOSE - CV5 6UR - COVENTRY

Tel. 0044-2476-593500

Fax. 044-2476-601239

E-mail info@coventryscale.co.uk

Web www.coventryscale.co.uk