

Weighing pallet truck

Stainless steel pallet truck with GI410 LCD indicator and optional printer. For american pallets.



FEATURES:

- Pallet truck weigher. In EC-M approved version also available.
- Built in Stainless steel.
- With load cells IP68.
- Nylon wheels with a polyurethane outer Shell.
- 2 versions:
 - Without printer (IP65)
 - With printer (IP54)

GI410i LCD INDICATOR:

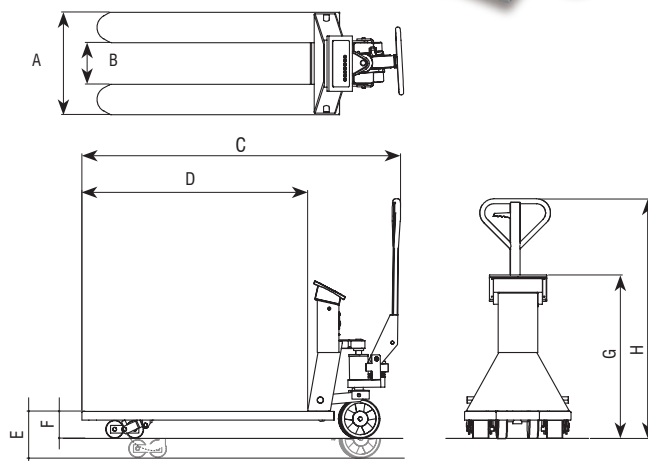
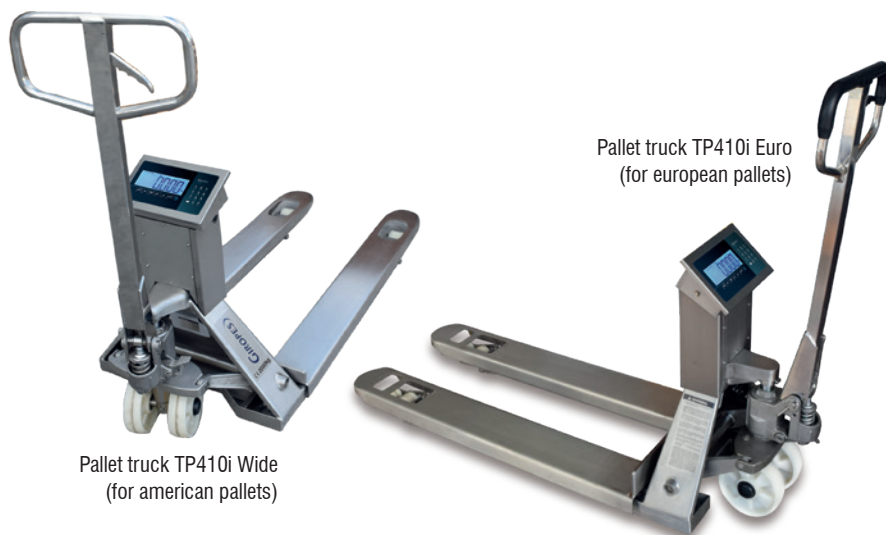
- Weight tare digital indicator
- Stainless steel housing.
- IP54 or IP65 protection.
- Backlight LCD display. With digits of 40 mm.
- Wall support included.
- Li-ion rechargeable battery 7,4V/2,6 Ah
- Power supply 230VAC.
- 2 output RS232 are included.
- Multiinterval standard (other options on request: monorange or multirange).
- Units: kg.
- Approval 6.000 divisions OIML class III and IV.
- EC approval.

FUNCTIONS:

- Weight accumulation: automatic / manual
- Totalization on screen
- Gross / Net
- Manual tare and pretare
- Back to zero
- Piece counting function
- Checkweigher with LCD signal
- Function division 1/10 verification. Display for a few seconds.

PRINTING:

- Programmer of three headings
- Printer languages (Spanish, french, portuguese, italian, english).



| Dimensions (mm) | A | B | C | D | E | F | G | H |
|-----------------|-----|-----|------|------|-----|----|-----|------|
| EURO | 530 | 215 | 1570 | 1150 | 200 | 80 | 870 | 1200 |
| WIDE | 680 | 360 | 1630 | 1220 | 200 | 80 | 760 | 1210 |

| Code # | Capacity (kg) | Readout (g) | Printer | Type | Packing dimensions (mm) | Packing weight (kg) | Certifications | |
|----------|---------------|-------------|---------|------|-------------------------|---------------------|----------------|--|
| | | | | | | | ENAC | |
| | | | | | | | Code # | |
| 290005 | 1000/2000 | 200/500 | | EURO | 1600x600x1400 | 118 | 900004 | |
| 290006 M | 1000/2000 | 500/1000 | | EURO | 1600x600x1400 | 118 | 900004 | |
| 290007 | 1000/2000 | 200/500 | • | EURO | 1600x600x1400 | 118 | 900004 | |
| 290008 M | 1000/2000 | 500/1000 | • | EURO | 1600x600x1400 | 118 | 900004 | |
| 290013 | 1000/2000 | 200/500 | | WIDE | 1600x600x1400 | 130 | 900004 | |
| 290014 M | 1000/2000 | 500/1000 | | WIDE | 1600x600x1400 | 130 | 900004 | |
| 290015 | 1000/2000 | 200/500 | • | WIDE | 1600x600x1400 | 130 | 900004 | |
| 290016 M | 1000/2000 | 500/1000 | • | WIDE | 1600x600x1400 | 130 | 900004 | |

Accessories

| Code # | Accessories description |
|--------|------------------------------------|
| 220021 | Wifi communication board for TP410 |
| 220008 | Additional memory ALIBI/DSD |